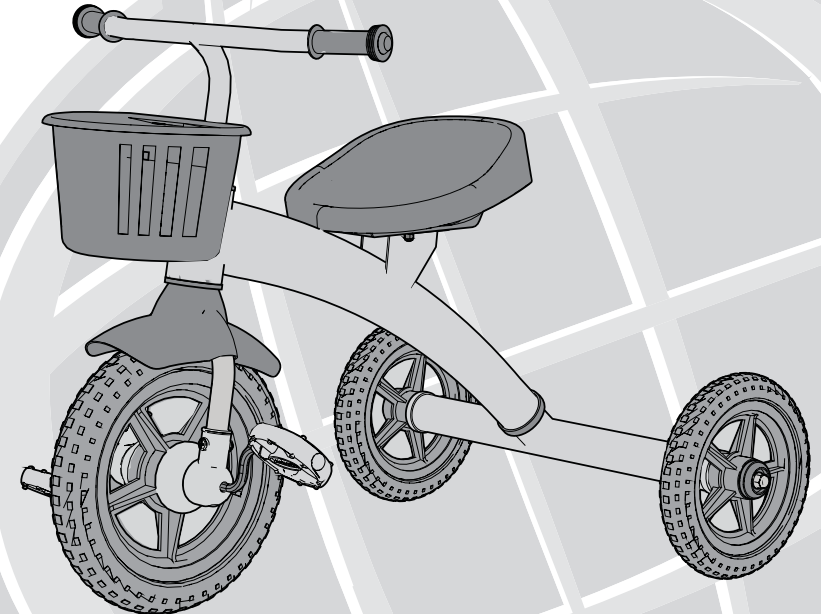




## Owner's Manual Classic Trike



**THIS MANUAL CONTAINS IMPORTANT SAFETY, ASSEMBLY,  
OPERATION AND MAINTENANCE INFORMATION.**

**PLEASE READ AND FULLY UNDERSTAND THIS MANUAL BEFORE  
OPERATION.**

**SAVE THIS MANUAL FOR FUTURE REFERENCE.**

# STOP-ALTO-ARRET

See back page for Customer Service Information

Consulte el reverso para Servicio de Información al Cliente

Voir les pages verso pour des renseignements sur le service à la clientèle

[ In the US ]

**PLEASE - BEFORE RETURNING TO  
STORE, CONTACT HUFFY CUSTOMER  
SERVICE. WE ARE GLAD TO ASSIST  
YOU WITH ANY PARTS OR ASSEMBLY  
PROBLEMS YOU MIGHT HAVE!**

For Fast Customer Service, go to:

<http://www.huffybikes.com/contact>

To Order Parts (US only), go to:

<http://www.huffybikes.com/parts>

OR TEL: 1 800 872 2453 (US only)

For email, go to <http://www.huffybikes.com/contact>

[ MEXICO ]

**ANTES DE DEVOLVER EL  
PRODUCTO A LA TIENDA,  
COMUNÍQUESE CON SERVICIO  
AL CLIENTE DE HUFFY. NOS  
COMPLACE AYUDARLO  
CON CUALQUIER PARTE O  
PROBLEMA DE ENSAMBLADO  
QUE PUDIERA TENER.**

Para obtener Servicio al Cliente Rápido,  
visite:

<http://www.huffybikes.com/>

O LLAME AL TEL: 01800 1483 391

(Mexico only)

Para correo electrónico, vaya [servicio@huffymex.com](mailto:servicio@huffymex.com)

[ CANADA ]

**VEUILLEZ NOTER : AVANT DE  
RETOURNER AU MAGASIN,  
COMMUNIQUEZ AVEC LE  
SERVICE À LA CLIENTÈLE DE  
HUFFY. NOUS VOUS AIDERONS  
VOLONTIERS AVEC TOUT  
PROBLÈME CONCERNANT LES  
PIÈCES OU LE MONTAGE!**

Pour un Service à la Clientèle Rapide, allez  
sur le site :

[http://www.huffybikes.com/  
contact](http://www.huffybikes.com/contact)

To Order Parts (CANADA only), go to:

<http://www.huffybikes.com/parts>

OU appelez le 1 800 872 2453  
(CANADA only)

Pour communiquer par courriel [huffycanada@huffy.com](mailto:huffycanada@huffy.com)

Check <http://www.huffybikes.com/home/globalcontact>  
for the current contact information

<http://www.huffybikes.com/home/globalcontact>  
para comprobar la información de contacto actual

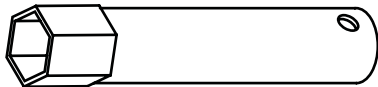
Vérifier <http://www.huffybikes.com/home/globalcontact>  
pour les informations de contact actuelles

# HUFFY

# Manual Index

- Tools Needed.....2
- Safety and Warning Information.....2-3
- Trike Assembly.....4-7
- Parts List.....8
- Maintenance / Torque Chart.....9
- Warranty.....10
- Helmet Warning (Contact info on back cover).....11

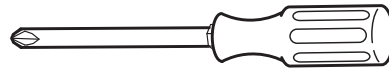
## Tools Needed



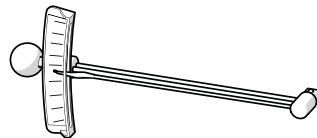
Socket (2 supplied)



Wrench (supplied)



Phillips Screwdriver



Torque Wrench - recommended



### WARNING TO AVOID SERIOUS INJURY:

#### Product Specific Warnings:

- This product should only be used by persons 3 years and up.
- Maximum rider weight for this product is 27kg. (60 lbs).
- Do not allow a child to ride in the rear plastic bin (if equipped).
- Maximum weight for the front or rear plastic bin is 2.3kg. (5 lbs) (if equipped).

**If you have any questions regarding the operation of this product, please refer to this owners manual or call Customer Service  
- see Consumer Service contact info.**

**ADDITIONAL SAFETY AND WARNING INFORMATION >>**



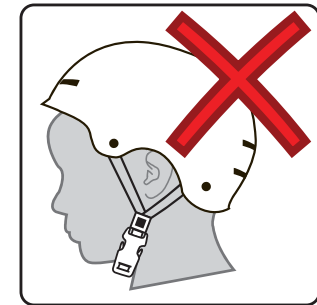
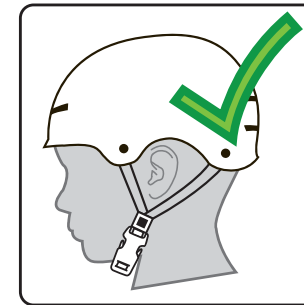
## WARNING / ADVERTENCIA /

### AVERTISSEMENT :

**ALWAYS WEAR YOUR HELMET  
WHEN RIDING THIS PRODUCT!**

**USE SIEMPRE EL CASCO AL MONTAR  
ESTE PRODUCTO!**

**TOUJOURS PORTER VOTRE CASQUE LORSQUE  
CIRCONSCRIPTION CE PRODUIT !**



- |   |   |   |
|---|---|---|
| <ul style="list-style-type: none"> <li>• Helmet should sit level on your head and low on your forehead</li> <li>• Adjust the strap sliders below the ear on both sides.</li> <li>• Buckle the chin strap. Adjust strap until it is snug.</li> <li>• No more than two fingers should fit between the strap and your chin.</li> <li>• A proper fitting helmet should be comfortable and not rock forward/backward or side to side.</li> <li>• Always read the user manual that comes with your helmet to make sure it is fitted and attached properly to the wearer's head according to the fitting instructions described in the user manual.</li> </ul> | <ul style="list-style-type: none"> <li>• El nivel del casco se debe ajustar sobre su cabeza y cubrir su frente hasta abajo.</li> <li>• Ajuste la correa controles deslizantes por debajo de la oreja en ambos lados.</li> <li>• Hebille el barboquejo. Ajustar la tira hasta que quede bien ajustado.</li> <li>• Solamente deben caber dos dedos entre la correa y la barbilla.</li> <li>• El uso de un casco a su medida debe de ser cómodo y no estar moviéndose hacia delante o hacia atrás o de lado a lado.</li> <li>• Siempre lea el manual del usuario que viene con su casco para asegurarse de que se encuentra instalado y conectado correctamente a la cabeza de acuerdo con el manual de montaje se describe en el manual del usuario.</li> </ul> | <ul style="list-style-type: none"> <li>• Casque devrait siéger niveau sur votre tête et faible sur votre front.</li> <li>• Régler la sangle curseurs au-dessous de l'oreille des deux côtés.</li> <li>• Boucle de la jugulaire. Régler l'attache jusqu'à ce qu'elle soit serrée.</li> <li>• Pas plus de deux doigts devraient monter entre la sangle et le menton.</li> <li>• Un bon raccord casque doit être confortable et pas rock avant/arrière ou de côté à côté.</li> <li>• Toujours lire le manuel d'utilisation fourni avec votre casque pour s'assurer qu'il est monté et fixé correctement à la tête du porteur selon la notice de montage décrit dans le manuel de l'utilisateur.</li> </ul> |
|---|---|---|

## Limited Warranty

### General:

- Part or model specifications are subject to change without notice.
- This Limited Warranty is the only warranty for this product. There are no other expressed or implied warranties.
- This Limited Warranty extends only to the original consumer and is not transferable to anyone else.
- Warranty registration is not required.
- The only uses for this product are described in this manual.

**What does this Limited Warranty cover?** This Limited Warranty covers all parts of the product except those indicated below as not warranted.

### What must you do to keep the Limited Warranty in effect?

This Limited Warranty is effective only if:

- Product is completely and correctly assembled.
- Product is used under normal conditions for its intended purpose (see the following section for excluded activities).
- Product receives all necessary maintenance and adjustments.
- Product is used for general transportation and recreational use only.

### What is not covered by this Limited Warranty?

- This Limited Warranty does not cover normal wear and tear, normal maintenance items, or any damage, failure, or loss that is caused by improper assembly, maintenance, adjustment, storage, or use of the Product.

### This Limited Warranty will be void if the unit is ever:

- Used in any competitive sport
- Used for stunt riding, jumping, aerobatics or similar activity
- Modified in any way
- Modified with the addition of a motor
- Ridden by more than one person at a time
- Rented, sold, or given away
- Used in a manner contrary to the instructions and warnings in this Owner's Manual

indirectly from use of this product. Some states do not allow the exclusion or limitation of incidental or consequential damages, so the above limitation may not apply to you.

**What rights do you have?** This warranty gives you specific legal rights. You may also have other rights which vary from state to state.

**What will Huffy do?** Huffy will replace, without charge to you, the component found to be defective by Huffy.

### CONTACTING CUSTOMER SERVICE:

#### How do you report a problem with this product or submit a warranty claim?

- Contact Consumer Service - See included list for Customer Contact information or visit [www.huffybikes.com/contact](http://www.huffybikes.com/contact).

#### IN AUSTRALIA:

- Warranty claims can be submitted to; Hunter Products Pty Ltd - PH: 1800 224 094  
Email: [enquiries@hunterproducts.com.au](mailto:enquiries@hunterproducts.com.au) - Level 2, 424 Warrigal Road, Moorabbin, Victoria 3189 Australia.

The following text is incorporated into this Limited Warranty if this product was purchased in Australia (but it is not incorporated if such product was purchased in New Zealand):

- Our goods come with guarantees that cannot be excluded under the Australian Consumer Law. You are entitled to a replacement or refund for a major failure and for compensation for any other reasonably foreseeable loss or damage. You are also entitled to have the goods repaired or replaced if the goods fail to be of acceptable quality and the failure does not amount to a major failure.

#### How long does this Limited Warranty Last?

All components are warranted for 6 months from the date of purchase. Electronics: 90 days.

## Safety and Warning Information

This product, like all wheeled vehicles, will provide safe, enjoyable transportation and recreation when used and maintained properly. Like bicycling, skateboarding, and in-line skating, riding this product can be dangerous even under the best of circumstances. We do not want you to get hurt. Please follow these safety rules.



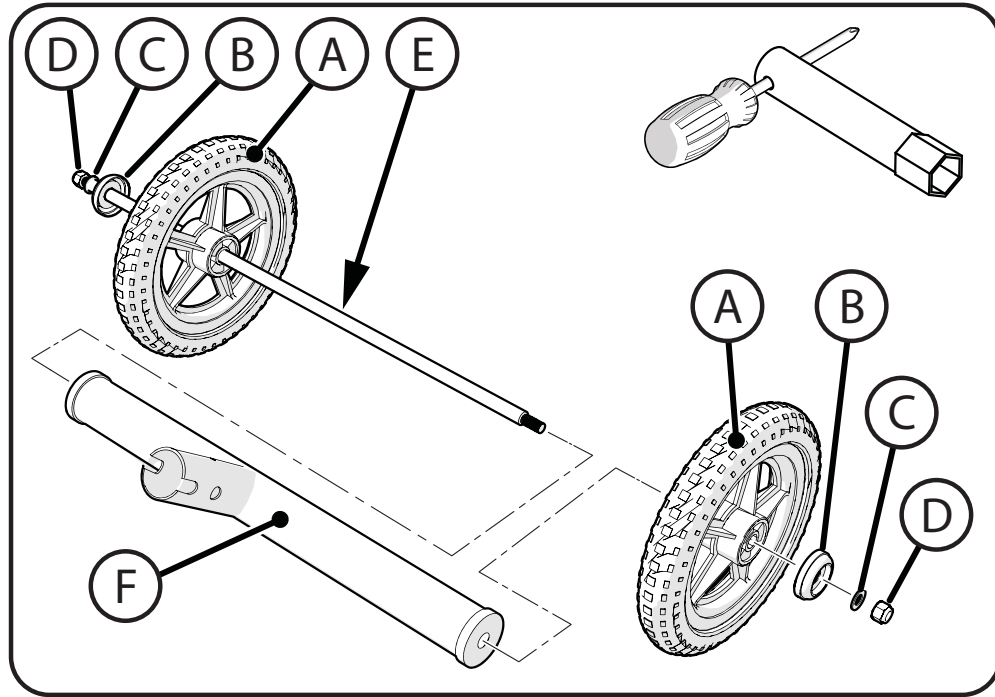
This symbol is important. It is the WARNING symbol. The warning symbol precedes safety instructions. Make sure the child understands these instructions. Failure to follow these instructions may result in injury to the rider or to others, or damage to the product.



### WARNING TO AVOID SERIOUS INJURY:

- Adult assembly required.
- CHOKING HAZARD: Small parts. Not for children under 3 years.
  - Keep small loose parts and plastic bags out of the reach of children.
  - Not suitable for children under 3 years as foam pieces may break off and pose a choking hazard.
- An adult must unfold and fold this product (as equipped).
- Continuous adult supervision required.
- Never use near motor vehicles.
- Never ride with more than one person (unless equipped with rear step).
- Excessive weight may cause a hazardous or unstable condition.
- Protective equipment should be worn.
- Do not allow a child to ride without a CPSC approved helmet, with the chinstrap securely fastened.
- Always wear shoes when using this product.
- Not to be use in traffic.
- Do not allow a child to ride the product at dusk, at night or at times of limited visibility.
- Do not allow a child to ride on roadways or alleys.
- Do not allow a child to ride off road, on grass or wet surfaces.
- Never use near streets, swimming pools (or other bodies of water), hills, steps, or sloped driveways.
- For use on smooth paved surfaces only.
- Understand all operating procedures before use.
- Do not tow or pull any objects with the product.
- Do not push or pull a child riding on the product.
- Use with caution, since skill is required to avoid falls or collisions causing injury to the user or third parties.
- Always comply with local laws and regulations.
- If anything does not operate properly, discontinue use.
- Replace worn or broken parts immediately with genuine replacement parts.
- Handlebar hand grip or tube end plugs should be replaced if damaged as bare tubes have been known to cause injury. All products with capped handlebar ends should be checked regularly to ensure that adequate protection for the ends of the handlebars are in place.

## Assemble Rear Frame and Wheels



1. Insert one Wheel (A), Axle Hub (B), one Washer (C) and one Locknut (D) onto rear Axle (E).
2. Insert this assembly into Rear Axle Frame (F).
3. Place other Wheel (A), Axle Hub (B), and Washer (C) on Axle.
4. Install Locknut (D).
5. Tighten both Nuts securely using included sockets. **See Torque Chart for recommended Torque.**
  - Ensure Wheels turn smoothly.

## Repair and Service

### ⚠ WARNING:

- Inspect the product frequently. Failure to inspect the product and to make repairs or adjustments, as necessary, can result in injury to the rider or to others. Make sure all parts are correctly assembled and adjusted as written in this manual and any "Special Instructions".
- Immediately replace any damaged, missing, or badly worn parts with original equipment.
- Make sure all fasteners are correctly tightened as written in this manual and any "Special Instructions". Parts that are not tight enough can be lost or operate poorly. Over tightened parts can be damaged. Make sure any replacement fasteners are the correct size and type.

**NOTE:** Have a bicycle service shop make any repairs or adjustments for which you do not have the correct tools or if the instructions in this manual or any "Special Instructions" are not sufficient for you.

### Torque Table

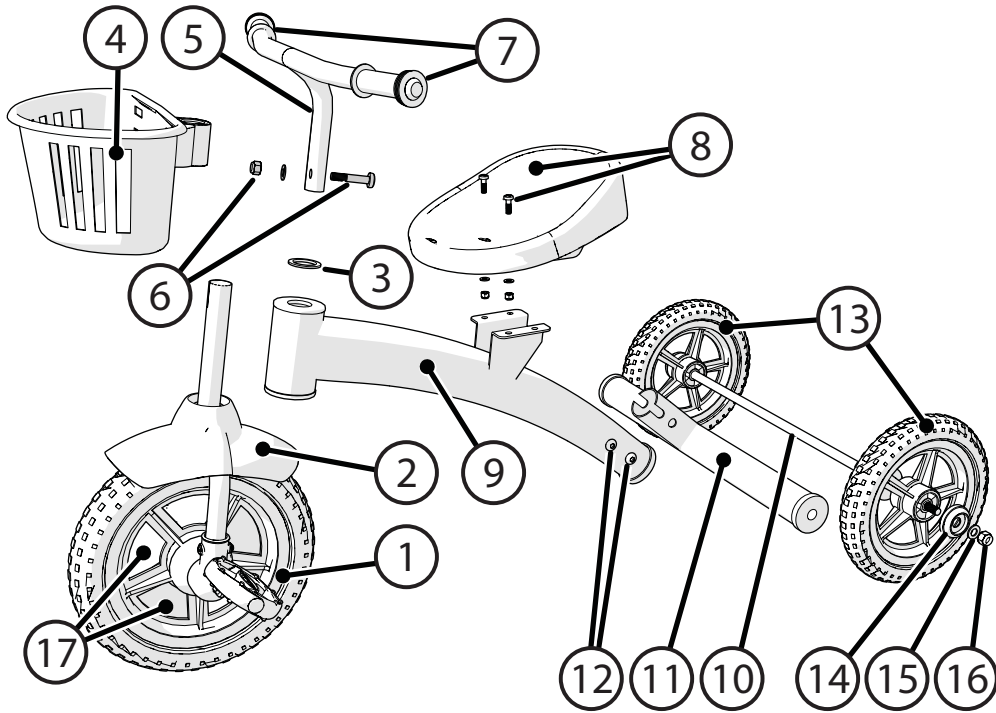
#### Recommended Torque:

Use of a torque wrench is recommended. Recommended torque for each fastener is listed below. In addition to tightening to the recommended torque, please ensure the parts of the product are sufficiently tightened by performing the functional tests (in the component assembly sections of the owner's manual) on each component as it is tightened.

**NOTE:** Please check that all fasteners on the product are torqued according to the table below:

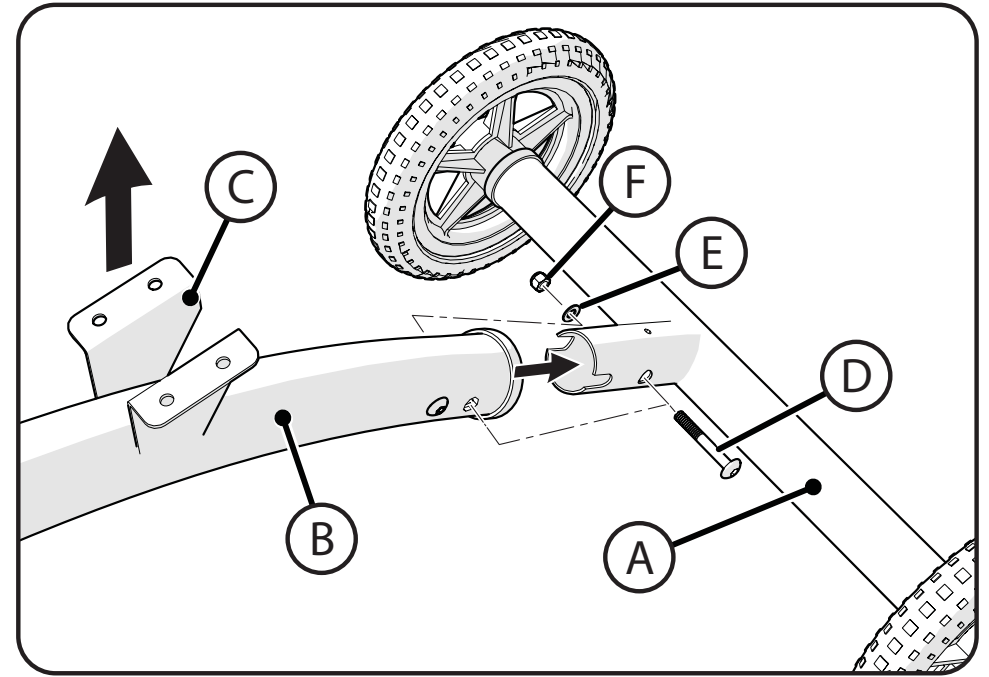
Recommended Torque for clean, dry threads:		How to Measure:
Fastener Size	Torque (ft-lb / N•m)	Screw or bolt size is determined by the width at the THREADS as shown.
.157 in (4 mm)	3.1 ft-lbs (4.2 N•m)	
.196 in (5 mm)	5 ft-lbs (6.8 N•m)	
.236 in (6 mm)	7 ft-lb (9.5 N•m)	
.275 in (7 mm)	12 ft-lbs (16.3 N•m)	
.314 in (8 mm)	17 ft-lbs (23 N•m)	
.393 in (10 mm)	33 ft-lbs (44.7 N•m)	
Pedals	24 ft-lbs (30 N•m)	

Parts List



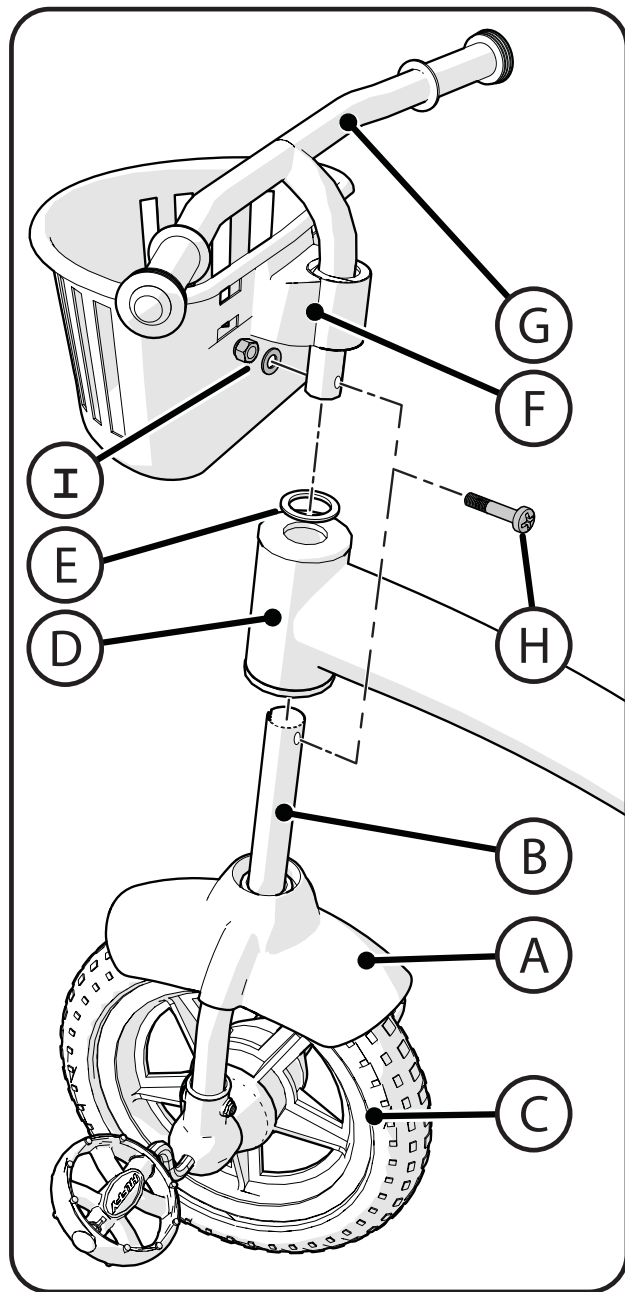
#	Description	#	Description
1	Front Wheel Assembly	10	Rear Axle
2	Fender	11	Rear Axle Frame
3	Fork Tube Washer	12	Frame Mount Hardware
4	Basket		• Screw, Washer, Nut
5	Handlebar	13	Rear Wheels (x2)
6	Handlebar Clamp	14	Rear Axle Hub (x2)
7	Grips (x2)	15	Washer (x2)
8	Seat and Hardware	16	Locknut (x2)
9	Main Frame	17	Front Wheel Decals (some models)

Attach Rear Frame Assembly



1. Fully insert Rear Wheel Assembly (A) into rear of Main Frame Tube (B) until mounting holes line up.
  - Ensure Seat Brackets (C) are pointing UP.
2. Install Screw (D), Washer (E) and Locknut (F). Tighten securely. **See Torque Chart for recommended Torque.**

## Assemble Fork and Handlebar



1. Place Fender (A) over Fork Tube (B).
2. Insert Front Wheel Assembly (C) up into frame Head Tube (D) fully.
3. Place fork tube Washer (E) over Fork Tube.
4. Slide Basket (F) up onto Handlebar (G) all the way up.
5. Fully insert Handlebar down into Fork tube.
6. Align Handlebar with front wheel and insert Screw (H) through Handlebar and Fork Tube screw holes as shown.
7. Install Washer and Locknut (I) and tighten securely.
8. Place Basket down fully and facing forward.

### WARNING:

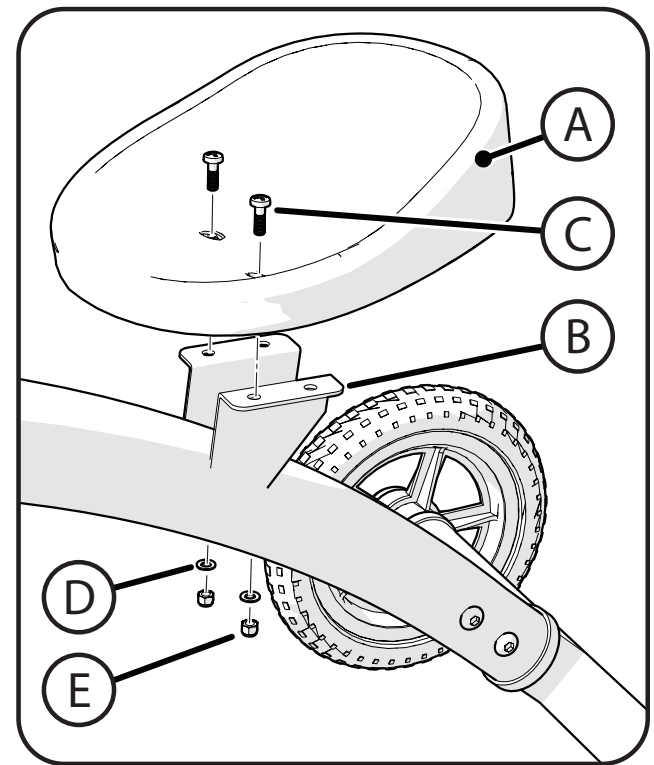
- Ensure Handlebars and Fork turn smoothly in both directions and are not loose.
- Ensure front Wheel and Pedals rotate smoothly.

## Install Seat

**NOTE:** Remove Screws if they are pre-installed.

### WARNING:

- Adjust Seat so that child can easily reach pedals while pedaling.
1. Position Seat (A) over Mounting Plate (B) so that the correct holes align for the child's size.
  2. Install 2 Screws (C) through Seat and Mounting Plate.
  3. Install Washers (D), and Locknuts (E) and tighten securely. Do not over-tighten. This can damage the seat.



## Front Wheel Decal (some models)

### NOTES:

- Locate Decals and remove from packaging.
  - Ensure Wheel Surfaces (B) are clean and dry.
1. Carefully remove Decals (A) from decal sheet as they are applied.
  2. Place each Decal (A) evenly and smoothly onto Wheel Surfaces (B) as shown. Press surface and edges firmly into place.
  3. Repeat for opposite side of wheel.

