

[USA]



PLEASE - BEFORE RETURNING TO STORE:
Contact Huffy Customer Service.
We are glad to assist you
with any parts or assembly problems you might have!

For Fast Customer Service and email:
www.huffybikes.com/contact

To Order Parts:
www.huffybikes.com/parts

OR TEL: 1 800 872 2453 (US)

[CANADA]

PLEASE - BEFORE RETURNING TO STORE:
Contact Huffy Customer Service.

We are glad to assist you with any parts or assembly problems you might have!

AVANT DE RETOURNER AU MAGASIN :

Communiquiez avec le service à la clientèle de Huffy. Nous vous aiderons volontiers avec tout problème concernant les pièces ou le montage!

For fast customer service in Canada / Pour un service à la clientèle rapide au Canada :

Call / Appelez : 1-800-872-2453

Or Email / Ou Courriel : huffycanada@huffy.com

Or visit / Ou visitez : www.huffybikes.com/global-contacts

[MÉXICO]

ANTES DE DEVOLVER EL PRODUCTO A LA TIENDA:

Comuníquese Con Servicio Al Cliente De Huffy. Nos Complace Ayudarlo Con Cualquier Parte O Problema De Ensamblado Que Pudiera Tener.

Para obtener Servicio al cliente rápido, visite:

www.huffybikes.com.mx

Contáctanos por WhatsApp al 222 422 4955

Visita nuestra página de Facebook HuffyMexico

● LLAME AL TEL:

800 1 HUFFY 1 (800 1 48339 1)

(Mexico only)

Para comunicarse por correo electrónico:

servicio.mexico@huffy.com



For ASSEMBLY Help:
Aide à l'ASSEMBLAGE :
Ayuda de la ASAMBLEA:

Please REGISTER your Product:
Veuillez ENREGISTRER l'article :
Por favor, REGISTRE su producto:



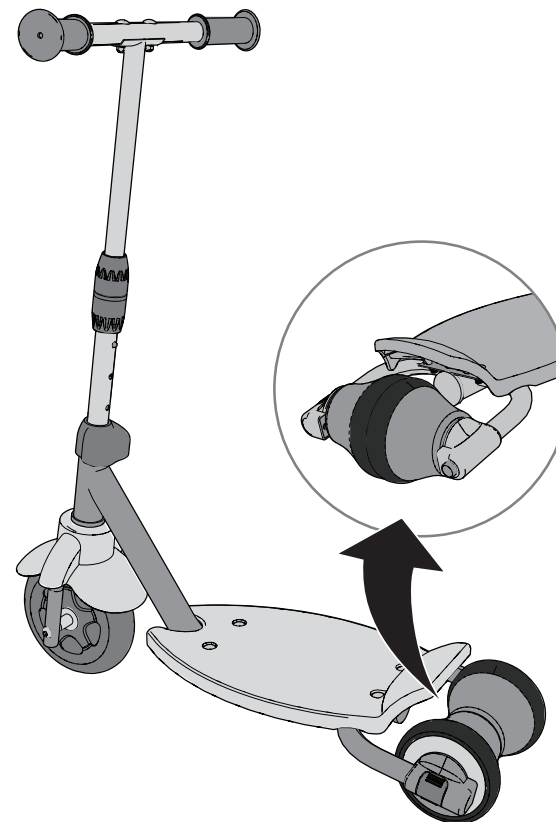
www.huffybikes.com/home/globalcontacts/
for current contact information / pour les informations de contact actuelles / para obtener la información de contacto actual

HUF SCT GRW EN 05-19-21 m0939



Date Code Label
Here

GROW SCOOTER OWNER'S MANUAL



This manual contains important safety, assembly, operation and maintenance information.

Please read and fully understand this manual before operation.

Save this manual for future reference.

Always wear approved helmet and safety equipment when using this product.

See back page for Customer Service Information

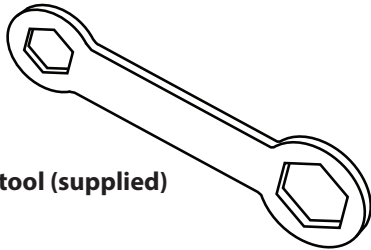


© Copyright Huffy Corporation 2021

Index

• Parts Assembly	3
• Safety Information	4-5
• Assembly	6-8
• Operation	9
• Maintenance	9
• Warranty	11
 Contact Information	Back Cover

Tools Needed



Wrench multi-tool (supplied)

Limited Warranty

General:

Part or model specifications are subject to change without notice.

This Limited Warranty is the only warranty for the product. ALL WARRANTIES OTHER THAN STATED HEREIN ARE DISCLAIMED INCLUDING IMPLIED WARRANTIES OF MERCHANTABILITY AND FITNESS FOR A PARTICULAR PURPOSE, TO THE EXTENT ALLOWABLE BY APPLICABLE LAW. ALL LIABILITY FOR INCIDENTAL, PUNITIVE, SPECIAL, OR CONSEQUENTIAL DAMAGES ARE EXPRESSLY DISCLAIMED, TO THE EXTENT ALLOWABLE BY APPLICABLE LAW.

The only uses for this product are described in this manual.

Warranty registration is not required.

The Limited Warranty extends only to the original consumer and is not transferable to anyone else.

What does this Limited Warranty cover?

This Limited Warranty covers defects in workmanship and materials for all parts of the product except those indicated below as not warranted.

What must you do to keep the Limited Warranty in effect?

This Limited Warranty is effective only if:

- Product is completely and correctly assembled.
- Product is used under normal conditions for its intended purpose (see the following section for excluded activities).
- Product receives all necessary maintenance and adjustments.
- Product is used for general transportation and recreational use only.

What is not covered by this Limited Warranty?

This product is designed for recreational use only. This Limited Warranty does not cover normal wear and tear, normal maintenance items, or any damage, failure, or loss that is caused by improper assembly, maintenance, adjustment, storage, or use of the product. This Limited Warranty does not extend to future performance.

This Limited Warranty will be void if the product is ever:

- Used in any competitive sport
- Used for stunt riding, jumping, aerobatics or similar activity
- Modified in any way

- Modified with the addition of a motor
- Ridden by more than one person at a time
- Rented, sold, or given away
- Used in a manner contrary to the instructions and warnings in this Owner's Manual

What will The Manufacturer do?

Manufacturer's sole and exclusive obligation under this Limited Warranty is to repair and/or replace, at its sole option, any covered defect in workmanship or materials.

How do you get service?

Contact the Customer Service Department.

- See included list for Customer Contact information.

What rights do you have?

This Limited Warranty gives you specific legal rights. You may also have other rights which vary from state to state, region to region.

For how long does this Limited Warranty last?

- When used in this Limited Warranty, the phrase "for life" means for as long as the original consumer owns the product.
- All components are warranted for 6 months from the date of purchase. Electronics and Wheels: 90 days.

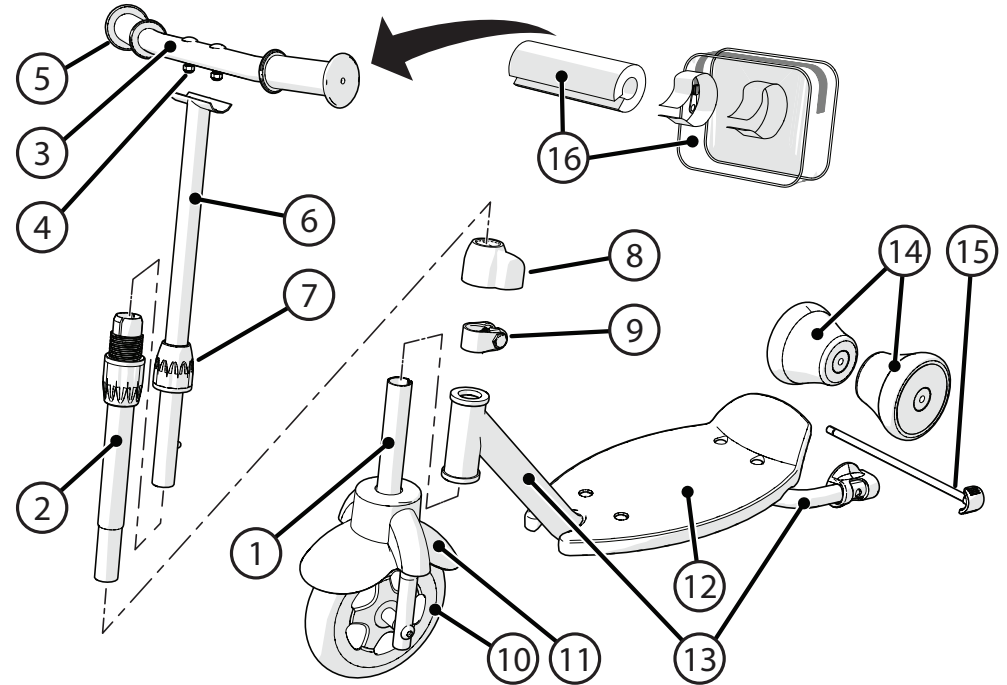
Maintenance and Service

⚠️ WARNING:

- Inspect the product frequently. Failure to inspect the product and to make repairs or adjustments, as necessary, can result in injury to the rider or to others. Make sure all parts are correctly assembled and adjusted as written in this manual and any "Special Instructions".
- Immediately replace any damaged, missing, or badly worn parts with original equipment.
- Make sure all fasteners are correctly tightened as written in this manual and any "Special Instructions". Parts that are not tight enough can be lost or operate poorly. Over tightened parts can be damaged. Make sure any replacement fasteners are the correct size and type.
- Self-locking nuts and other self-locking fasteners may lose their effectiveness when re-used.

NOTE: Have a bicycle service shop make any repairs or adjustments for which you do not have the correct tools or if the instructions in this manual or any "Special Instructions" are not sufficient for you.

Parts Assembly



#	Description	#	Description
1	Fork	8	Clamp Cover
2	Bottom Steering Tube / Twist Clamp	9	Fork/Steer Tube Clamp
3	Handlebar	10	Front Wheel
4	Handlebar Hardware	11	Fender
	• Screw, Washer, Nut x2	12	Deck and Mounting Hardware
5	Grips (x2)	13	Main Frame
6	Top Steering Tube	14	Rear Wheels (x2)
7	Hand Twist Clamp	15	Rear Lock Axle
		16	Handlebar Bag/Pad (various models)

Safety and Warning Information

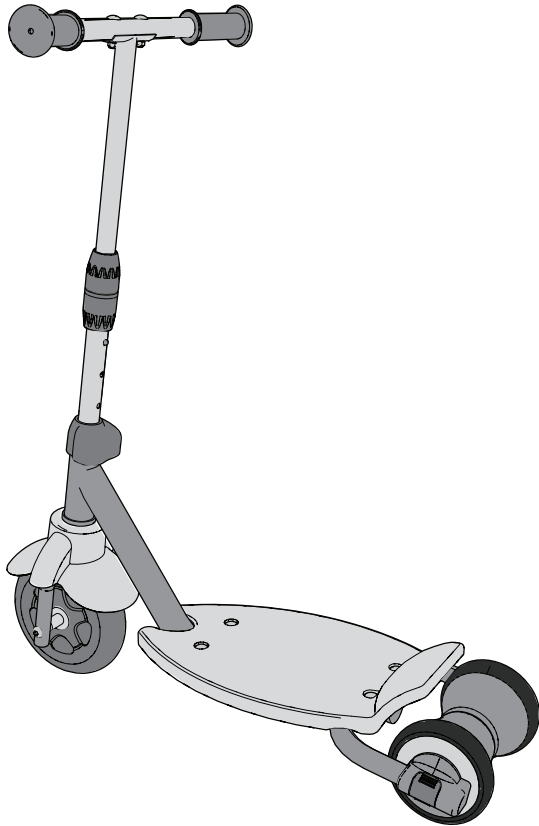
WARNING TO AVOID SERIOUS INJURY:

Product Specific Warnings:

- This product should only be used by persons 3 years and up.
- Maximum rider weight for this product is 20 kg. (44 lb).

If you have any questions regarding the operation of this product, please refer to this owners manual or call Customer Service
- see Consumer Service contact info.

ADDITIONAL SAFETY AND WARNING INFORMATION >>



Operating the Scooter

ADJUSTING THE HANDLEBAR:

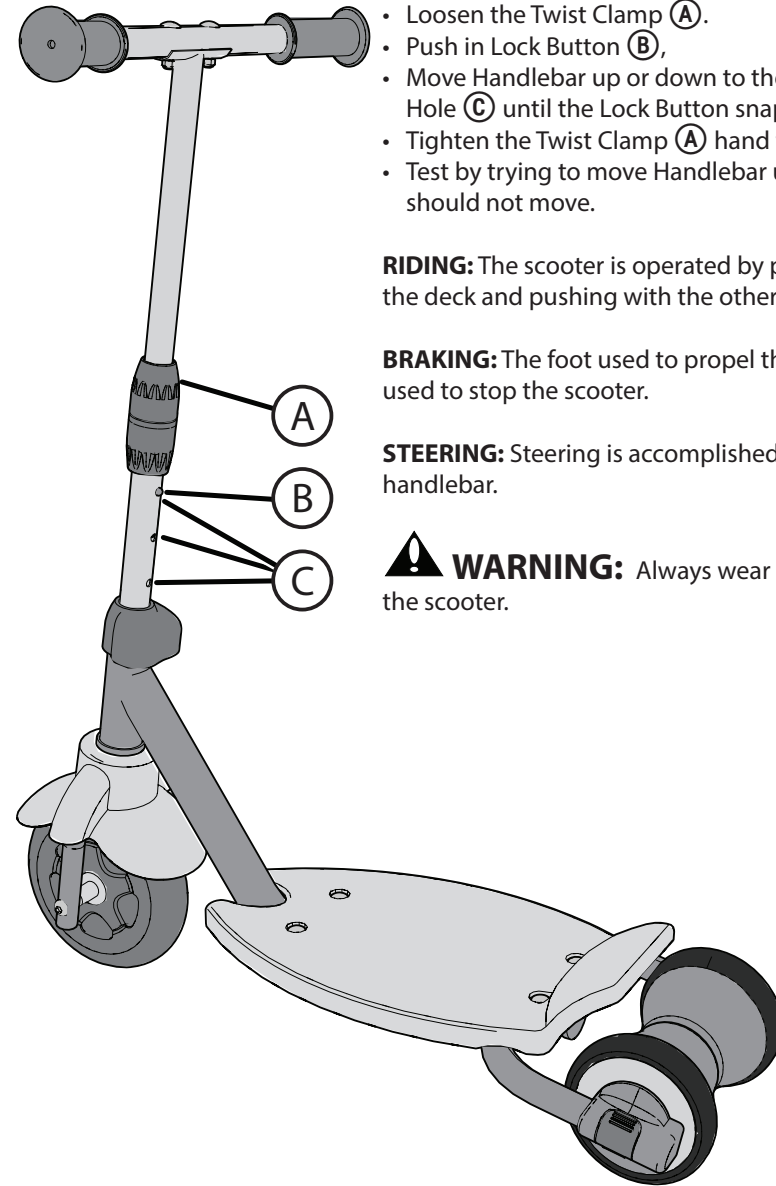
- Loosen the Twist Clamp (A).
- Push in Lock Button (B),
- Move Handlebar up or down to the desired Positioning Hole (C) until the Lock Button snaps into place.
- Tighten the Twist Clamp (A) hand tight.
- Test by trying to move Handlebar up or down. It should not move.

RIDING: The scooter is operated by placing one foot on the deck and pushing with the other foot.

BRAKING: The foot used to propel the scooter is also used to stop the scooter.

STEERING: Steering is accomplished by turning the handlebar.

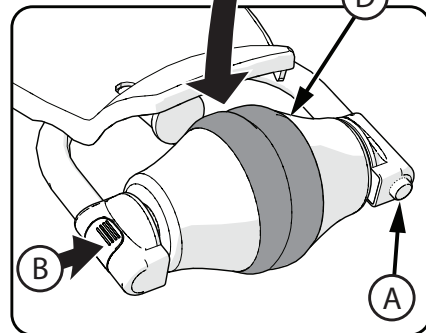
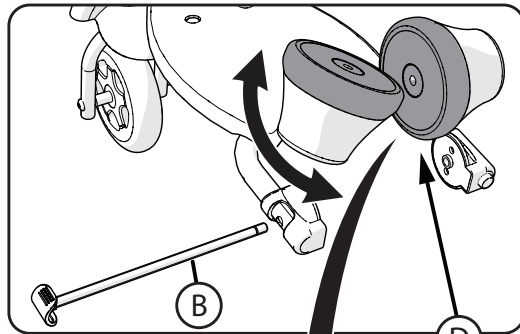
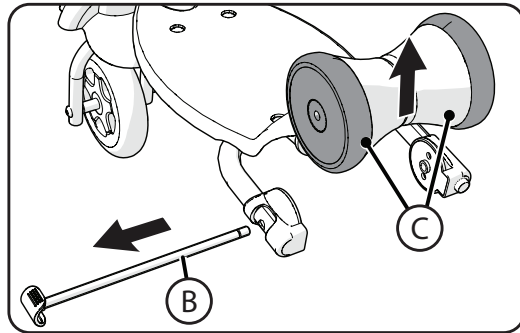
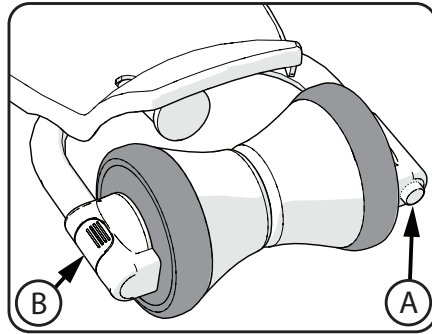
WARNING: Always wear shoes when riding the scooter.



Changing from 3-Wheel to 2-Wheel Scooter

STEPS:

- Push Release/Lock Button (A) and pull out Locking Axle (B).
- Pull both Wheels (C) straight out.
- Turn each Wheel over so Tread is now in the center as shown (D).
- Place together and insert between Rear Forks so that all holes line up.
- Reinsert Locking Axle (B) through Fork side, both Wheels and opposite Fork side.
- While holding IN Release/Lock Button (A), snap Locking Axle firmly into place.



- To change Wheels back, do these steps again, but turn each Wheel so that Tread is on the outside.

NOTES:

- To test, try to pull out Locking Axle. It should not release.
- Make sure Wheels turn freely after changing.

! WARNING:

2-wheel scooters are not as stable as 3-wheel scooters. Make sure your child can operate the scooter safely.

Safety and Warning Information

This product, like all wheeled vehicles, will provide safe, enjoyable transportation and recreation when used and maintained properly. Like bicycling, skateboarding, and in-line skating, riding this product can be dangerous even under the best of circumstances. We do not want you to get hurt. Please follow these safety rules. Keep children away during assembly.

! This symbol is important. It is the WARNING symbol. The warning symbol precedes safety instructions. Make sure the child understands these instructions. Failure to follow these instructions may result in injury to the rider or to others, or damage to the product.

! WARNING TO AVOID SERIOUS INJURY:

- Adult assembly required. An adult must unfold and fold this product (as equipped). Continuous adult supervision required. Do Not modify the product.
- CHOKING HAZARD: Not suitable for children under 3 years. Contains small parts.
 - Keep small loose parts and plastic bags out of the reach of children.
 - Not suitable for children under 3 years as foam pieces may break off and pose a choking hazard. Keep small children away when assembling.
- Never use near motor vehicles.
- Never ride with more than one person. Excessive weight may cause a hazardous or unstable condition.
- **Protective Equipment must be worn:** Always wear safety equipment such as a helmet that meets CPSC (or equivalent standard for your country) with chinstrap securely fastened, knee pads, elbow pads, wrist guards, gloves and shoes.
- Do not use in traffic.
- Do not allow a child to ride the product at dusk, at night or at times of limited visibility.
- Do not allow a child to ride on roadways or alleys.
- Do not allow a child to ride off road, on grass or wet surfaces.
- Never use near streets, swimming pools (or other bodies of water), hills, steps, or sloped driveways.
- For use on smooth paved surfaces only.
- Understand all operating procedures before use.
- Do not tow or pull any objects with the product.
- Do not push or pull a child riding on the product.
- Use with caution, since skill is required to avoid falls or collisions causing injury to the user or third parties.
- Always comply with local laws and regulations.
- If anything does not operate properly, discontinue use.
- Replace worn or broken parts immediately with genuine replacement parts.
- Handlebar hand grip or tube end plugs should be replaced if damaged as bare tubes have been known to cause injury. All products with capped handlebar ends should be checked regularly to ensure that adequate protection for the ends of the handlebars are in place.
- Self-locking nuts and other self-locking fixings may lose their effectiveness when re-used.
- The toy shall be used with caution, since it requires great skill, so as to avoid falls or collisions causing injury to the user and third parties.
- Ensure all locking devices are engaged before each ride.

Assemble the Fork and Handlebar

STEP ONE:

- Place Fender (A) onto Fork Assembly (B) and insert up into frame Headtube (C) with Clamp Slot (D) facing BACK.
- Ensure Headtube Bushings (E) are fully seated.
- Place Clamp (F) fully down onto Fork Tube (D).

STEP TWO:

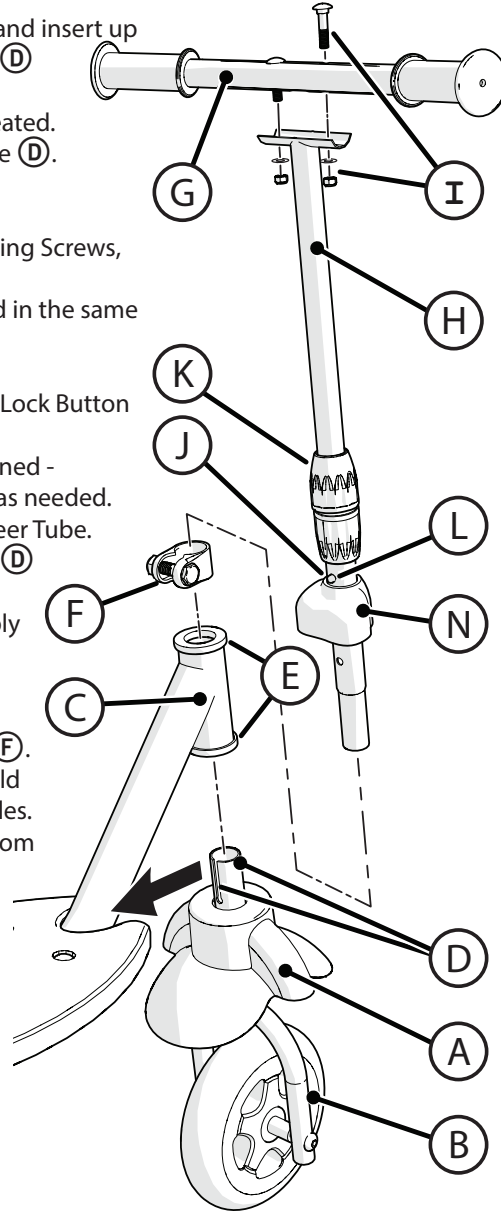
- Attach Handlebar (G) to Steer Tube (H) using Screws, Washers and Nuts (I) as shown.
- Make sure handlebar curves **BACK** - and in the same direction as Lock Button (J).
- Tighten Nuts (I) securely.
- Ensure that Handlebar is adjusted so that Lock Button (J) is in TOP position (L).
- **NOTE:** Clamp (K) may need to be loosened - reference Adjusting Handlebar section as needed.
- Slide Clamp Cover (N) up onto bottom Steer Tube.
- Install this assembly down into Fork Tube (D) fully.
- Align Handlebar with Fork/Wheel Assembly and tighten Clamp (F) securely.

STEP THREE:

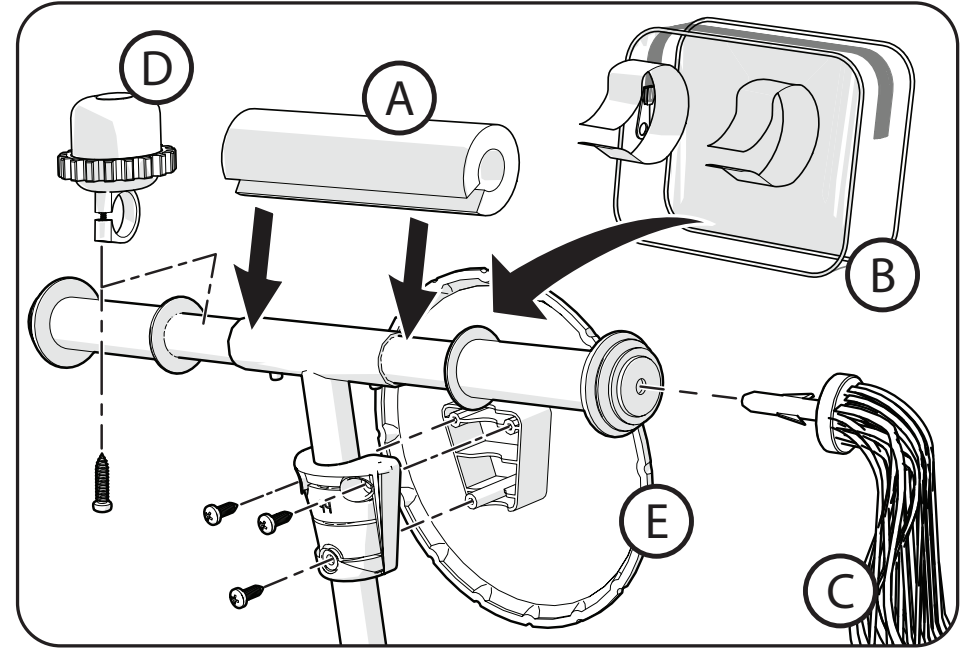
- Slide Clamp Cover (N) down over Clamp (F).
- Adjust Handlebar to correct height for child using Lock Button (J) and Positioning Holes.
- Slide Twist Clamp top (K) down onto Bottom Twist Clamp and tighten hand-tight.

WARNING:

- Ensure Handlebar and Front Wheel, turn easily.



Accessories (various models)



ATTACH AS EQUIPPED:

- Attach Handlebar Pad (A) (if equipped) to Handlebar by opening and placing straight down over handlebar and using Hook & Loop Straps to secure. Fasten securely.
- Attached Handlebar Bag (B) (if equipped) by securing bag straps around Handlebar/Pad. Fasten securely. Bag Weight Limit: **5 lb (2.3 kg)**
- Insert both Streamers (C) (if equipped) into ends of grips as shown, fully and securely.
- Position Bell (D) (if equipped) for easy reach and attach with supplied screw.
- Attach Plaque (E) (if equipped) using screws supplied. Attach so that Plaque does not interfere with hands on grips.